

Thermo Top water heaters

Water heaters for the marine market



Webasto water heaters not only ensure even heat distribution in the boat, but also provide domestic hot water in connection with a water boiler. These heaters can be installed in the engine room with minimal space requirements, and can be easily combined with Webasto chiller air-conditioners to form an integrated climate control system.

A wide range of water heater systems:

The 5kW unit is ideal for the majority of marine applications with its compact design, variable temperature control, reliable technology and low noise levels.

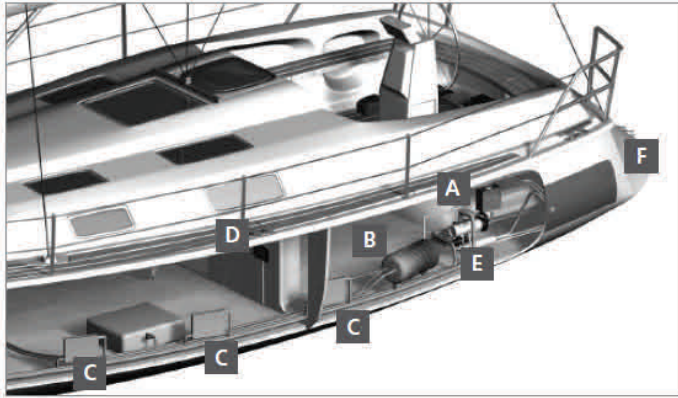
The Thermo Pro 90 offers high heat output, compact dimensions, service friendly technology, and an extremely low noise level.

The DBW 2012/2016 is the most robust device on the market and has proven itself through many years of use. The water heating system is also suitable for demanding applications with high heat output of 11.6kW and 16kW. The Thermo 230/300/350 are suitable for large vessels. The heater has the power to keep every part of the boat warm and challenges even extreme weather conditions. In case one single heater is not sufficient two heaters can be combined.

Product features:

- Even distribution of warmth
- Hot water for the shower and galley
- Quiet running
- Space-saving installation in the engine room
- Excellent possibilities for combining with Webasto BlueCool air-conditioning systems
- Separate temperature control in every cabin
- Low fuel consumption
- Compact design
- Robust aluminium casing, resistant to high temperature or salt

Installation example



- A** Water heater
- B** Boiler for heating hot water
- C** One radiator for each cabin allows individual temperature control
- D** Controls – simple and logical to use
- E** Circulating pump
- F** Stainless steel exhaust

Technical Specifications

	Thermo Top E	Thermo Top C Thermo 50	Thermo Pro 90	DBW 2010** DBW 2016**	Thermo 230**	Thermo 300** Thermo 350**
Voltage (V)	12	12 24	12/24	12/24 12/24	24	24 24
Heat Output (kW) Partial Load - Full Load	2.5/4.2	2.6/5.2 2.2/5.0	1.8-7.6 (boost mode 9.1)	11.6 16	23	30 35
Fuel; Fuel Consumption (L/Hr) Partial Load - Full Load	Diesel; 0.36-0.59	Diesel; 0.36-0.73 Diesel; 0.36-0.73	Diesel; 0.18-1.08 (boost mode 1.33)	Diesel; 1.57 Diesel; 1.81	Diesel; 3.0	Diesel; 4.0 Diesel; 4.5
Power Consumption (W) Partial Load - Full Load	32/37 (with circulation pump)	32/42 (with circulation pump) 34/50 (with circulation pump)	20-83 (boost mode 90)	60 (without circulation pump) 90 (without circulation pump)	65 (without circulation pump)	90 (without circulation pump) 120 (without circulation pump)
Dimensions (LxWxH mm) Weight (kg)	214 x 106 x 168 3.2	214 x 106 x 168 237 x 106 x 193 3.2	352 x 131 x 232 5.3	564 x 205 x 228 564 x 205 x 228 14.5	610 x 246 x 220 19	610 x 246 x 220 610 x 246 x 220 19

** Values for full load

Webasto Thermo & Comfort Australia Pty Ltd
423-427 The Boulevard, Kirrawee NSW 2232 Australia

Ph: +61 (0)2 8536 4800

svc-info@webasto.com
www.webasto.com

